

Lead Free Brass PEX (F1807) Tankless Water Heater Valve Kit

Feature

- 600# WOG (non-shock)
- Lead free brass construction
- ¼ turn operation
- Full port
- Adjustable packing
- Blow-out proof stem
- Integral hose end drain/purge valve
- PEX end x FNPT tailpiece (ASME B1.20.1-NPT)
- Integral relief valve port (3/4")
- 3460RAB: 200K BTU/hr relief
- AB1953, NSF/ANSI/CAN 61 & 372 certified

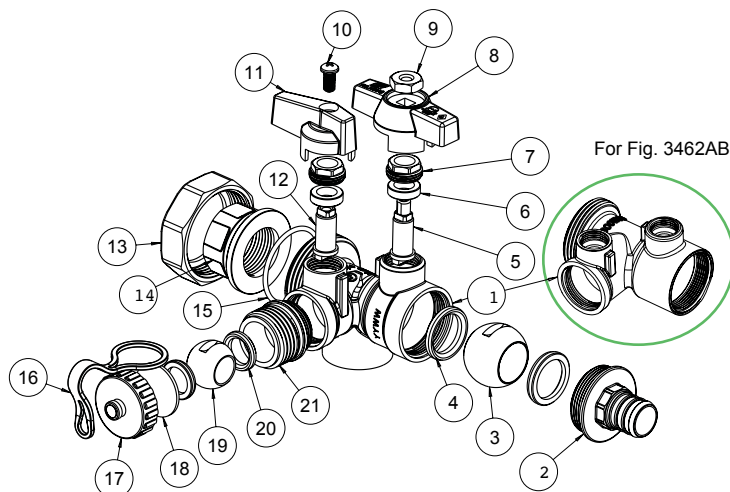


- 3461AB: Hot valve operation (red handle)
- 3462AB: Cold valve operation (blue handle)

Pressure/ Temperature rating	
Valve body and stem	
600 psi from 15 °F to 160 °F	150 psi max. at 366 °F
PEX connection	
300 psi from 15 °F to 160 °F	150 psi max. at 200 °F

Material

Part	Material	Specification
1	Body	Lead Free Brass ASTM B927 C27450
2	Fixed end	Lead Free Brass ASTM B927 C27450
3	Ball	Lead Free Brass / Cr plated ASTM B927 C27450
4	Seat	PTFE PTFE
5	Stem	Lead Free Brass ASTM B927 C27450
6	Packing ring	PTFE PTFE
7	Packing nut	Brass ASTM B124 C37700
8	T-handle	Aluminum ASTM B85
9	Handle nut	Steel /Zn plated ASTM A36
10	Handle screw	Steel /Zn plated ASTM A36
11	Handle	Aluminum ASTM B85
12	Stem	Lead Free Brass ASTM B927 C27450
13	Union nut	Brass ASTM B283 C37700
14	Union	Lead Free Brass ASTM B927 C27450
15	O-ring	EPDM Perox NSF approved
16	Cap retainer	Rubber -
17	Drain cap	Brass ASTM B283 C37700
18	Drain gasket	EPDM Perox NSF approved
19	Ball	Lead Free Brass / Cr plated ASTM B927 C27450
20	Seat	PTFE PTFE
21	Fixed end	Lead Free Brass ASTM B927 C27450



Dimension, Weight

Size	Φ [in]	ΦP [in]	A [in]	B [in]	H [in]	Wt.* [lb]
¾"	¾ - 14NPT	0.53	4.37	2.35	1.66	1.44 / 1.31

*3461AB / 3462AB

