

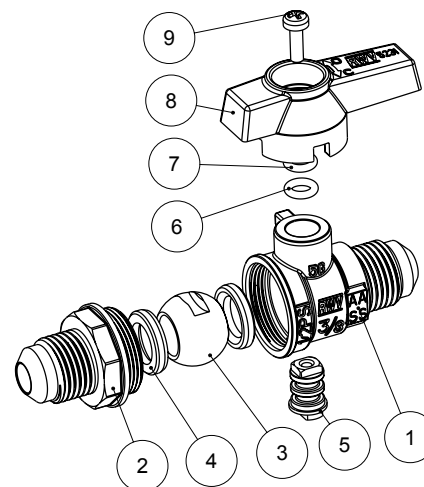
Feature

- 175# PSI
- 2-piece brass body
- Flare x Flare
- Flared ends
- Chrome plated ball
- ANSI Z21.15 / CGA 9.1
- CSA ½ & 5 psi
- CSA ΔC



Material

	Part	Material	Specification
1	Body	Brass	ASTM B283 C37700
2	End piece	Brass	ASTM B283 C37700
3	Ball	Brass / Cr plated	ASTM B124 C37700
4	Seat	PTFE	-
5	Stem	Brass	ASTM B124 C37700
6	O-ring	FKM	-
7	O-ring	HNBR 70SH	-
8	Handle	Aluminum	ASTM B85 A03840
9	Handle screw	Steel / Zn plated	ASTM A36



Dimension, Weight

Size	T	A	C	H	L	P1	P2	Wt.
		[in]	[in]	[in]	[in]	[in]	[in]	[lb]
3/8"	5/8 - 18 UNF	2.36	0.62	1.27	1.18	0.28	0.39	0.28
1/2"	3/4 - 16 UNF	2.62	0.75	1.27	1.18	0.41	0.39	0.28
3/4"	7/8 - 14 UNF	3.13	0.88	1.45	1.18	0.50	0.59	0.56

