

STAINLESS STEEL 1 5/8 SOLID STRUT

Stainless Steel 1 5/8 Solid Strut

Features:

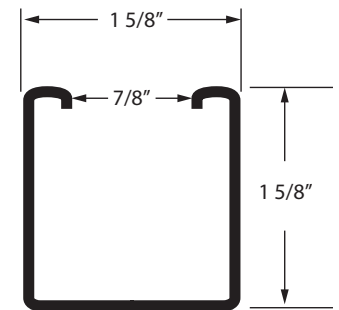
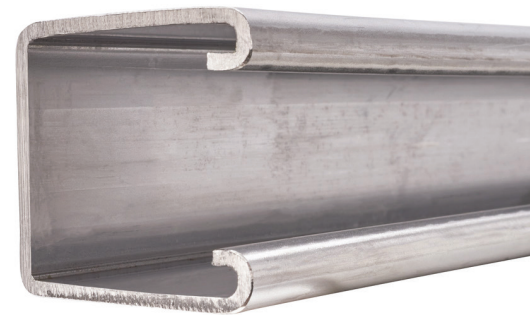
- Manufactured in both type 304 and 316 stainless to meet any stringent sanitary condition
- Polished to a bright, easily maintainable finish that is modern, attractive, easy to clean, and that also enhances the surface's resistance to pitting and bacterial corrosion
- Calbrite stainless steel strut functions in exactly the same way as any other metallic strut
- Channels provided by Calbrite are available in 12 different basic sizes which are subjected to further variation in gauge and depth

Certifications and Compliances:

- UL 5B Listed
- For installation in accordance with Article 384 of ANSI/NFPA 70, National Electrical Code(NEC)

Applications:

The Calbrite system of metal framing is based on the use of a continuous solid channel, and a series of brackets and fittings, which can be fastened to it any point. With Calbrite channel and components, racks, supports for conduit, wiring, and electrical equipment, machine frames, and a limitless variety of structures can be built rapidly, simply and economically.



Type 304 Part Number	Type 316 Part Number	Size (in)	Height of Lip (in)	Width of Lip (in)	Sectional Area (in)	Weight each per L.F. (lb)
S45810SL58	S65810SL58	1 5/8 x 5/8	5/32	3/8	0.559	1.90

All dimensions are for informational purposes only *Tolerances +/- 5%

