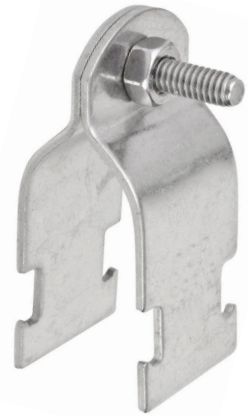


# STAINLESS STEEL EMT STRUT CLAMPS

## Features:

- Manufactured in type 316 stainless steel to meet any stringent sanitary condition
- Polished with standard “brite” finish to increase corrosion resistance and aesthetic appearance
- Designed for use with 1-5/8” stainless channel
- Type 316 stainless steel nut and bolt included
- No package qty. required

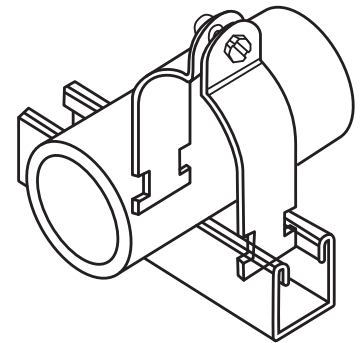


## Applications:

Used at any point along the slot side of the channel and are inserted into the two channel returns.

## Industries Commonly Served:

- Food & Beverage Production
- Marine & Coastal Facilities
- Chemical Plants
- Water & Wastewater Treatment
- Pharmaceuticals & Cosmetics
- Refining & Extraction Sites
- Petrochemical Operations
- Pulp & Paper Mills
- Along with other corrosive environments



Part Number	Trade Size (in)	Material Thickness (in)	Design Load (lb)	Bolt Size (in)	Weight each per (lb)
S20500SC00	1/2	0.058	400	1/4 - 20 x 3/4	0.090
S20700SC00	3/4	0.068	600	1/4 - 20 x 3/4	0.100
S21000SC00	1	0.078	600	1/4 - 20 x 3/4	0.140
S21200SC00	1 1/4	0.079	600	1/4 - 20 x 3/4	0.160
S21500SC00	1 1/2	0.104	800	5/16 - 18 x 1	0.260
S22000SC00	2	0.105	800	5/16 - 18 x 1	0.320

All dimensions are for informational purposes only \*Tolerances +/- 5%



For more info visit [atkore.com/calbrite](http://atkore.com/calbrite) 