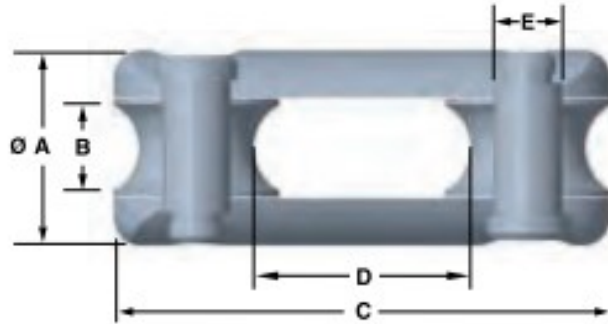




Rope to Rope/Grip Clevis

Versatile clevis provides efficient link for several applications. Stainless steel construction. Combinations of sheaves and pins allow the following connections:

- Rope to rope
- Rope to forged eye pulling grip
- Forged eye pulling grip to forged eye pulling grip
- Rope to flexible eye pulling grip



Part Number	FOR MAX ROPE Ø		DIMENSIONS										Replacement Roller Part Number	Replacement Pin Part Number	Load Capacity	
	(IN.)	MM	A		B		C		D		E				(lbs)	(N)
08091200	7/8	22	1.75	44	0.91	23	4.50	114	1.96	50	0.62	16	08091202	08091201	10,000	44,482