



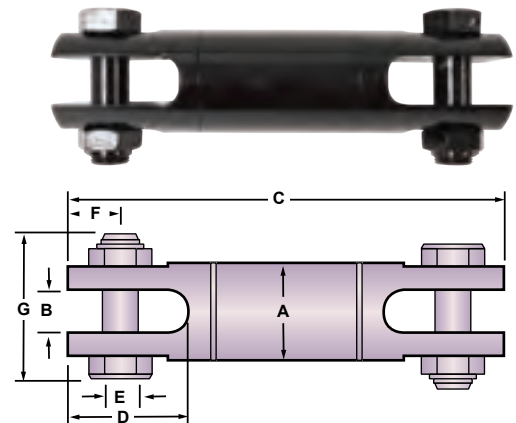
DIRECTIONAL DRILLING SWIVELS

819 D.Drill Directional Drilling Swivels

Designed specifically for directional drilling, the Condux 819 D.Drill Swivels prevent boring equipments' rotational torque from interfering with the product (cable or conduit) being pulled. The D.Drill Swivels are greasable and double sealed to keep contaminants out. Clevis pins with hex nuts allow for installation and removal from either side of the swivel. Condux Directional Drilling Swivels feature a 90 day warranty.

CAUTION: To be used for directional drilling only.

CAUTION: Condux requires the use of a calcium based lubricant only. Other lubricants may have adverse reactions when exposed to bentonite products. Condux requires that the swivels be greased after each use to purge any contaminants that may have penetrated past the seals into the swivel while boring. See page 33 for calcium based lubricants.



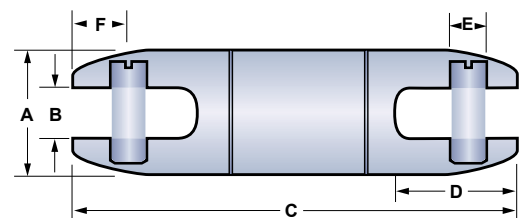
| Part Number | Working Load | | | | A | | B | | C | | D | | E | | F | | G | |
|-------------|--------------|---------|-------------|---------|--------|------|------|------|-------|------|------|------|------|------|------|------|------|------|
| | Tension | | Compression | | | | | | | | | | | | | | | |
| | (LBS) | (N) | (LBS) | (N) | (IN) | (MM) | (IN) | (MM) | (IN) | (MM) | (IN) | (MM) | (IN) | (MM) | (IN) | (MM) | (IN) | (MM) |
| 08190016 | 8,500 | 37,808 | 2,800 | 12,454 | 1-5/8" | 41 | .63 | 16 | 6.86 | 174 | 1.59 | 40 | .56 | 14 | .78 | 20 | 2.36 | 60 |
| 08190020 | 10,000 | 44,480 | 3,300 | 14,678 | 2" | 51 | .75 | 19 | 7.86 | 200 | 1.81 | 46 | .63 | 16 | .75 | 19 | 2.89 | 73 |
| 08190025 | 20,000 | 88,960 | 6,600 | 29,357 | 2-1/2" | 64 | 1.00 | 25 | 10.94 | 278 | 2.84 | 72 | .88 | 22 | 1.25 | 32 | 3.67 | 93 |
| 08190030 | 30,000 | 133,440 | 10,000 | 44,480 | 3" | 76 | 1.31 | 33 | 12.77 | 324 | 3.56 | 90 | 1.13 | 29 | 1.38 | 35 | 4.50 | 114 |
| 08190040 | 45,000 | 200,160 | 15,000 | 66,720 | 4" | 102 | 1.63 | 41 | 15.25 | 387 | 4.00 | 102 | 1.25 | 32 | 1.88 | 48 | 5.58 | 142 |
| 08190045 | 60,000 | 266,880 | 20,000 | 88,960 | 4-5/8" | 117 | 1.75 | 44 | 17.48 | 444 | 4.63 | 118 | 1.50 | 38 | 2.13 | 54 | 6.31 | 160 |
| 08190060 | 90,000 | 400,320 | 30,000 | 133,440 | 6" | 152 | 2.00 | 51 | 18.27 | 464 | 4.50 | 114 | 1.75 | 44 | 2.19 | 56 | 6.59 | 167 |
| 08190080 | 120,000 | 533,760 | 40,000 | 177,920 | 7-3/4" | 197 | 2.25 | 57 | 21.72 | 552 | 5.25 | 133 | 2.00 | 51 | 2.50 | 64 | 8.25 | 210 |

400 D.Drill® Directional Drilling Swivels

Designed specifically for directional drilling, the Condux 400 D.Drill Swivels prevent boring equipments' rotational torque from interfering with the product (cable or conduit) being pulled. The D.Drill Swivels are greasable and double sealed to keep contaminants out. Condux Directional Drilling Swivels feature a 90 day warranty.

CAUTION: To be used for directional drilling and underground cable installation only.

CAUTION: Condux requires the use of a calcium based lubricant only. Other lubricants may have adverse reactions when exposed to bentonite products. Condux requires that the swivels be greased after each use to purge any contaminants that may have penetrated past the seals into the swivel while boring.



| Part Number | Working Load | | | | A | | B | | C | | D | | E | | F | |
|-------------|--------------|---------|-------------|--------|--------|------|------|------|-------|------|------|------|------|------|------|------|
| | Tension | | Compression | | | | | | | | | | | | | |
| | (LBS) | (N) | (LBS) | (N) | (IN) | (MM) | (IN) | (MM) | (IN) | (MM) | (IN) | (MM) | (IN) | (MM) | (IN) | (MM) |
| 08190408 | 1,800 | 6,588 | 595 | 2,177 | 7/8" | 22 | .38 | 10 | 4.83 | 123 | 1.03 | 26 | .31 | 8 | .53 | 13 |
| 08190412 | 4,000 | 14,641 | 1,300 | 4,758 | 1-1/4" | 32 | .56 | 14 | 6.57 | 167 | 1.34 | 34 | .37 | 9 | .59 | 15 |
| 08190416 | 8,500 | 37,808 | 2,800 | 12,454 | 1-5/8" | 41 | .63 | 16 | 7.22 | 183 | 1.59 | 40 | .56 | 14 | .78 | 20 |
| 08190421 | 10,000 | 44,480 | 3,300 | 14,678 | 2" | 51 | .75 | 19 | 8.68 | 220 | 2.00 | 51 | .62 | 16 | .82 | 21 |
| 08190426 | 20,000 | 88,960 | 6,600 | 29,357 | 2-1/2" | 64 | 1.00 | 25 | 11.44 | 291 | 2.80 | 71 | .87 | 22 | 1.23 | 31 |
| 08190431 | 30,000 | 133,440 | 10,000 | 44,480 | 3" | 76 | 1.31 | 33 | 13.27 | 337 | 3.56 | 90 | 1.12 | 28 | 1.38 | 35 |