



**CONDUX**

# COUPLERS



## Comfit Couplers

Comfit is a unique Hi-Tech coupler for HDPE cable ducts. Leak tested at 230 PSI and resistant to corrosion and most chemicals.

Comfit is designed in accordance with the special demands of the leading cable and duct manufacturers, as well as, top utility and contractors.

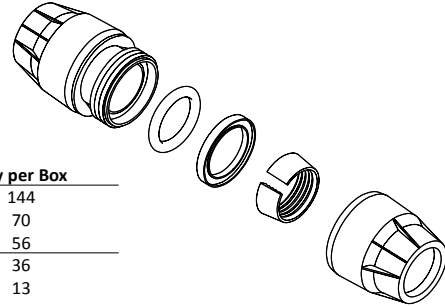
Comfit is excellent for both blowing and pulling applications.

Comfit has a compact profile reducing difficulties traditionally encountered in manholes, narrow trenches and plowing machines.

Comfit's push-fit method ensures fast and simple assembly and disassembly. Push the duct ends into the coupler for a locked and air sealed assembly. No special tools are needed.



**Max Pressure: 230 PSI**



Part Number	Nominal OD	Duct OD mm/in	Coupler OD mm/in	Max Tension PSI	Qty per Box
08566109	3/4"	26.6 mm/1.050"	43 mm/1.69"	580	144
08566110	1.0"	33.4 mm/1.315"	56 mm/2.20"	580	70
08566112	1 1/4"	42.2 mm/1.660"	72 mm/2.83"	1,130	56
08566115	1 1/2"	48.3 mm/1.900"	82 mm/3.23"	1,470	36
08566120	2.0"	60.3 mm/2.375"	109 mm/4.29"	2,400	13

## Microfit Couplers

Designed specifically for FTTx applications, the Condux® Microfit Couplers combine ease of use, chemical resistance and ability to accommodate the high pressures encountered when installing fiber with micro-blowing equipment.

The innovative transparent design ensures proper attachment by allowing the installer to visually verify that each end of the duct has been seated properly inside the coupler. Once connected, the air and water tight seal will hold pressure up to 232 PSI (16 Bar) in temperatures ranging from -4°F to 140°F (-20°C to 60°C).

These features incorporated into a push-on, no tools required design, make the Condux® Microfit Coupler an essential component of the professional installers toolbox.



Part Number	Description
08566310	Straight Connector - 5 mm Microfit
08566320	Endstop Connector - 5 mm Microfit
08566312	Straight Connector - 7 mm Microfit
08566322	Endstop Connector - 7 mm Microfit
08566335	Straight Connector - 8 mm Microfit
08566336	Endstop Connector - 8 mm Microfit
08566313	Straight Connector - 8.5 mm Microfit
08566323	Endstop Connector - 8.5 mm Microfit
08566315	Straight Connector - 10 mm Microfit
08566325	Endstop Connector - 10 mm Microfit
08566317	Straight Connector - 12 mm Microfit
08566327	Endstop Connector - 12 mm Microfit
08566337	Straight Connector - 12.7 mm Microfit
08566338	Endstop Connector - 12.7 mm Microfit
08566318	Straight Connector - 14 mm Microfit
08566328	Endstop Connector - 14 mm Microfit
08566319	Straight Connector - 16 mm Microfit
08566329	Endstop Connector - 16 mm Microfit
08566333	Straight Connector - 18 mm Microfit
08566334	Endstop Connector - 18 mm Microfit

FIBER CABLE INSTALLATION