

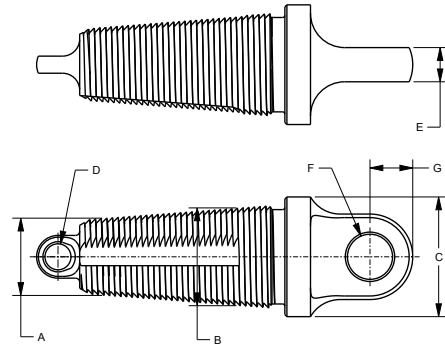
## INNERDUCT PULLING PRODUCTS



### Fixed Head Innerduct Pulling Eye

Tapered buttress threads thread into the innerduct for maximum pulling strength. These eyes connect directly to a Condux swivel (see page 24). When properly sized and installed, these eyes will not pull out of the innerduct until the pulling tensions have greatly exceeded the maximum pulling tensions recommended by the innerduct manufacturers.

**NOTE:** To determine correct pulling eye size, obtain the actual innerduct inside diameter (I.D.). The I.D. measurement must be greater than dimension A and smaller than dimension B.



**!** See compatibility chart on page 43 to determine what Innerduct Pulling Eyes work with various standard innerduct sizes.

Part Number	Nominal Size		Innerduct ID Range		Max OD C		Hole Diameter D		Tang Thickness E		Tang Hole Diameter F		Tang Hole Location G		
	(IN.)	A - B (IN.)	A - B (MM)	(IN.)	MM	(IN.)	MM	(IN.)	MM	(IN.)	MM	(IN.)	MM	(IN.)	MM
08914110 *	0.75	.73 - .94	19 - 24	1.25	32	.25	6	.38	10	.50	13	.50	13		
08914122 *	1.00	.97 - 1.14	25 - 29	1.38	35	.25	6	.38	10	.50	13	.50	13		
08914130 *	1.25	1.16 - 1.43	29 - 36	1.75	44	.38	10	.50	13	.66	17	.63	16		
08914142 *	1.50	1.50 - 1.67	38 - 42	2.00	51	.38	10	.50	13	.66	17	.63	16		
08914150 **	1.75	1.72 - 1.85	44 - 47	2.25	57	.38	10	.50	13	.66	17	.75	19		
08914162 **	2.00	1.88 - 2.07	48 - 53	2.50	64	.38	10	.50	13	.81	21	.75	19		

\* Compatible with 1/2"-3/4" Threaded Chain Connectors and Condux Swivels 08080912, 08080913, 08210012, and 08210014  
 \*\* Compatible with 1/2"-3/4" Threaded Chain Connectors and Condux Swivels 08210012 and 08210014



## INNERDUCT PULLING PRODUCTS

### Innerduct Compatibility Chart

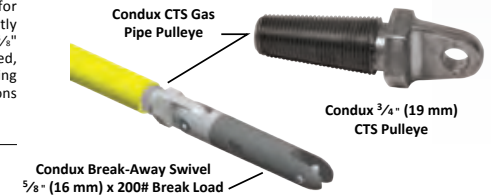
Use the chart to determine which Innerduct Pulling Eyes work with the different sizes of innerduct.

Innerduct Eye Part No.	Innerduct I.D. Range	Compatible Innerduct							
		0.75"	1.00"	1.25"	1.50"	2.00"			
Swivel Head	08960712	-	SDR 13.5 SDR 15.5 SDR 17 SDR 21	SDR 7 SDR 9 SDR 11 SDR 13.5	SDR 7	-			
	08960715	-	-	SDR 13.5 SDR 15.5 SDR 17 SDR 21	SDR 9 SDR 11 SDR 13.5 SDR 15.5	-			
	08960720	-	-	-	-	SDR 13.5 SDR 15.5 SDR 17			
Fixed Head	Cleave Head	08914110	08914310	.73"-.94" (19 mm-24 mm)	SDR 9 SDR 11 SDR 13.5 SDR 15.5	-	-	-	-
		08914122	08914322	.97"-1.14" (25 mm- 29 mm)	-	SDR 9 SDR 11 SDR 13.5 SDR 15.5 SCH 40	-	-	-
		08914130	08914330	1.16"-1.43" (29 mm-36 mm)	-	SDR 21	SDR 7 SDR 9 SDR 11 SDR 13.5	SDR 7	-
	08914142	08914342	1.50"-1.67" (38 mm- 42 mm)	-	-	SDR 21	SDR 11 SDR 13.5 SDR 15.5 SDR 17 SCH 40	-	-
	08914150	08914350	1.72"-1.85" (44 mm-47 mm)	-	-	-	SDR 21	-	-
	08914162	08914362	1.88"-2.07" (48 mm- 53 mm)	-	-	-	-	SDR 11 SDR 13.5 SDR 15.5 SCH 40 SCH 80	-

### CTS Gas Pipe Pulleys

Tapered buttress threads thread into the gas pipe for maximum pulling strength. These eyes connect directly to a Condux Breakaway Swivel (compatible with Condux 3/4" Breakaway Swivel only). When properly sized and installed, these eyes will not pull out of the gas pipe until the pulling tensions have greatly exceeded the maximum pulling tensions recommended by the gas pipe manufacturers.

Part Number	Description	Dimension
08914007	3/4" Inch CTS Gas Pipe Pulley	.551"-.813" (14 mm-21 mm)



### Innerduct Eyes for Micro Duct

Tapered buttress threads into the micro duct for maximum pulling strength.

Part Number	Description
08913547	Innerduct Eyes for Micro Duct (5-9 mm ID)
08913545	Innerduct Eyes for Micro Duct (10-13 mm ID)
08913538	Innerduct Eyes for Micro Duct (13-15 mm ID)

