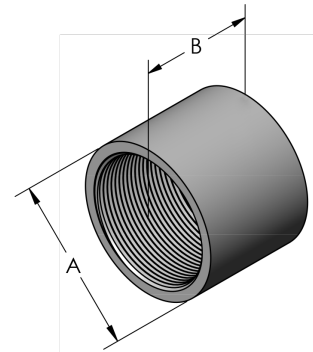


# Galvanized Rigid Conduit (GRC) Couplings

## Features

- Electro galvanized for excellent corrosion resistance
- High strength ductile steel for long life and easy bending
- Smooth, continuous raceways for fast wire pulling
- Kwik-Release End Cap to protect threads
- Listed to Safety Standard UL 6
- Manufactured in accordance with ANSI C80.1
- Available in trade sizes 1/2" (16 mm) - 6" (155 mm)



## Standards

- Precision manufacturers for dependable, long-lasting value and ultimate protection for electrical conductors
- Highly resistant to damage from impact (Article 344 NEC)
- Recognized as equipment grounding conductor (Sec 250.118 NEC)
- UL Safety Standard 6

## Galvanized Rigid Conduit (GRC) Couplings

Listed to Safety Standard UL 6

Manufactured in accordance with ANSI C80.1

Trade Size	Metric Designator	Nominal OD (A) <sup>1</sup>		Length (B) <sup>1</sup>		Threads Per Inch <sup>1</sup>	Approximate Weight Per 1000 Pieces		Standard Package
		(in)	(mm)	(in)	(mm)		(lb)	(kg)	
1/2	16	1.01	25.7	1 5/8	41.3	14	12	5.4	100
3/4	21	1.25	31.8	1 4/16	41.7	14	18	8.2	50
1	27	1.53	38.7	1 3/32	50.0	11 1/2	30	13.6	30
1 1/4	3w5	1.87	47.5	2 1/32	51.6	11 1/2	37	16.8	25
1 1/2	41	2.16	54.7	2 1/16	52.4	11 1/2	52	23.6	25
2	53	2.65	67.3	2 1/8	54.0	11 1/2	72	32.7	20
2 1/2	63	3.25	82.6	3 3/16	81.0	8	170	77.1	24
3	78	3.87	98.3	3 5/16	84.1	8	210	95.3	16
3 1/2	91	4.50	114.5	3 13/32	86.5	8	340	154.2	12
4	103	4.88	123.8	3 39/64	89.3	8	300	136.1	10
5	129	6.00	152.4	3 61/64	100.4	8	475	215.5	5
6	155	7.20	182.9	4 1/4	108.0	8	765	347.0	3

<sup>1</sup>Minimum requirement as per UL Standard

