

CAPS

MOLDED
FOR YOUR
INDUSTRY

IntegriFuse™



 **INTEGRITY**
Fusion Products, Inc.

TOLL FREE 1-888-770-6330

INTEGRITYFUSION.COM

CAPS

The difference MOLDED Makes

Molded Caps from Integrity Fusion Products offer performance, availability, and value that eliminate the need for fabricated fittings.

The molded difference includes:

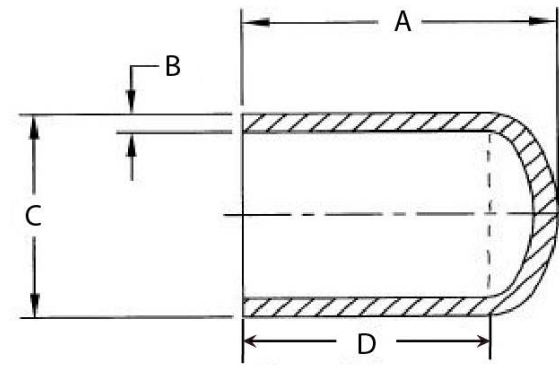
- No inner fusion beads
- Fully Pressure Rated
- Wall thickness remains consistent throughout

IntegriFuse fittings are manufactured from 100% Virgin Resin with black high density bimodal polyethylene copolymer designed for use in, but not limited to, potable water, natural gas, industrial, landfill, oil & gas, and mining applications.

All IntegriFuse fittings meet ASTM-D2513 & ASTM-D3261 requirements.

All butt fusion, electrofusion, and transition fittings meet AWWA C-901/C-906, NSF/ANSI/CAN-61, and NSF/ANSI-372 (where applicable). IntegriFuse fittings are manufactured with resin having a material designation code of PE 3408, PE3608, PE 4710, and PE 100. FM Approved.

Integrity Fusion Products, Inc.
270 Parkade Court
Peachtree City, GA 30269
Phone 770.632.7530 | Fax 770.632.7540
www.IntegrityFusion.com
Call Toll Free at 888.770.6330



IPS

SDR 17 (Standard Dimension Ratio) 125 PSI (Working Pressure at 73.4° F)

Nominal Size	A	B	C	D	Weight	Item Code
2" IPS	3.23"	0.140"	2.375"	2.52"	0.1 lbs.	100306
3" IPS	4.72"	0.206"	3.500"	3.70"	0.4 lbs.	100310
4" IPS	5.31"	0.264"	4.500"	3.98"	0.7 lbs.	100314
6" IPS	6.89"	0.390"	6.625"	4.84"	2.0 lbs.	100318
8" IPS	8.66"	0.507"	8.625"	5.83"	4.2 lbs.	100322
10" IPS	9.84"	0.633"	10.750"	6.30"	7.5 lbs.	100326
12" IPS	11.77"	0.750"	12.750"	7.52"	12.4 lbs.	100328

SDR 11 (Standard Dimension Ratio) 200 PSI (Working Pressure at 73.4° F)

Nominal Size	A	B	C	D	Weight	Item Code	Notes
¾" IPS	2.55"	0.095"	1.050"	2.18"	0.1 lbs.	100300	-
1" IPS	2.64"	0.120"	1.315"	2.18"	0.1 lbs.	100302	-
1 ¼" IPS	2.77"	0.151"	1.660"	2.18"	0.1 lbs.	100303	-
1 ½" IPS	3.10"	0.173"	1.900"	2.42"	0.7 lbs.	100304	-
2" IPS	3.23"	0.216"	2.375"	2.52"	0.8 lbs.	100305	FM 200
3" IPS	4.72"	0.318"	3.500"	3.70"	0.9 lbs.	100309	FM 200
4" IPS	5.31"	0.409"	4.500"	3.98"	1.1 lbs.	100313	FM 200
6" IPS	6.89"	0.603"	6.625"	4.84"	2.9 lbs.	100317	FM 200
8" IPS	8.66"	0.785"	8.625"	5.83"	6.3 lbs.	100321	FM 200
10" IPS	9.84"	0.978"	10.750"	6.30"	10.9 lbs.	100325	FM 200
12" IPS	11.77"	1.160"	12.750"	7.52"	18.4 lbs.	100327	FM 200

CAPS

The difference MOLDED Makes

Molded Caps from Integrity Fusion Products offer performance, availability, and value that eliminate the need for fabricated fittings.

The molded difference includes:

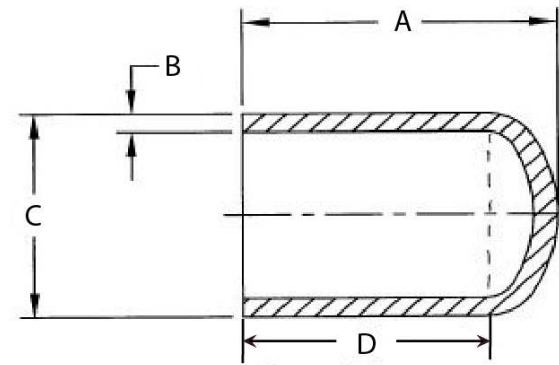
- No inner fusion beads
- Fully Pressure Rated
- Wall thickness remains consistent throughout

IntegriFuse fittings are manufactured from 100% Virgin Resin with black high density bimodal polyethylene copolymer designed for use in, but not limited to, potable water, natural gas, industrial, landfill, oil & gas, and mining applications.

All IntegriFuse fittings meet ASTM-D2513 & ASTM-D3261 requirements.

All butt fusion, electrofusion, and transition fittings meet AWWA C-901/C-906, NSF/ANSI/CAN-61, and NSF/ANSI-372 (where applicable). IntegriFuse fittings are manufactured with resin having a material designation code of PE 3408, PE3608, PE 4710, and PE 100. FM Approved.

Integrity Fusion Products, Inc.
270 Parkade Court
Peachtree City, GA 30269
Phone 770.632.7530 | Fax 770.632.7540
www.IntegrityFusion.com
Call Toll Free at 888.770.6330



IPS

SDR 9 (Standard Dimension Ratio) 255 PSI (Working Pressure at 73.4° F)

Nominal Size	A	B	C	D	Weight	Item Code	Notes
2" IPS	3.23"	0.264"	2.375"	2.52"	0.3 lbs.	100308	FM 250
3" IPS	4.72"	0.389"	3.500"	3.70"	0.8 lbs.	100312	FM 250
4" IPS	5.31"	0.500"	4.500"	3.98"	2.4 lbs.	100316	FM 250
6" IPS	6.89"	0.736"	6.625"	4.84"	2.8 lbs.	100320	FM 250
8" IPS	8.66"	0.958"	8.625"	5.83"	5.6 lbs.	100324	FM 250

SDR 7 (Standard Dimension Ratio) 335 PSI (Working Pressure at 73.4° F)

Nominal Size	A	B	C	D	Weight	Item Code	Notes
2" IPS	3.23"	0.339"	2.375"	2.52"	0.3 lbs.	100307	FM 335
3" IPS	4.72"	0.500"	3.500"	3.70"	1.0 lbs.	100311	FM 335
4" IPS	5.31"	0.643"	4.500"	3.98"	2.4 lbs.	100315	FM 335
6" IPS	6.89"	0.946"	6.625"	4.84"	2.8 lbs.	100319	FM 335
8" IPS	8.66"	1.232"	8.625"	5.83"	5.6 lbs.	100323	FM 335