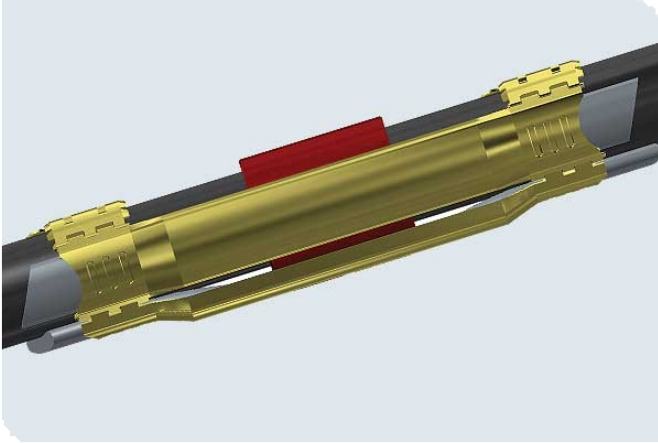


## DUAL CHANNEL CROSS COUPLING PROTECTORS



### KEY FEATURES

- ✓ Easy Install hinge design
- ✓ Standard and low profile models
- ✓ Securely holds and protects lines
- ✓ Special and custom features available

Slingco Dual Channel Protectors increase the number of cables that may be protected by adding a second channel to the cable protector. They can accommodate multiple ESP cables plus additional cap lines or control cables. As with standard cross coupling protectors these may be made in a variety of materials and configurations to protect cables and capillary tubing traveling down hole. Customized variations allow for any cable/cap string configuration needed. Low Carbon Steel, various Stainless Steel, Inconel, Monel and other materials options available to match the requirements of your well composition. [Contact Slingco](#) for guidance on selecting the proper protector for your well.

[Download our guide: Choosing the right Cable Protector.](#)



L9, 1 York Street, Sydney, NSW 2000, Australia Sales: +61 3 8840 6556

### GET IN TOUCH



+61 3 8840 6556



[sales@slingcoaustralia.com.au](mailto:sales@slingcoaustralia.com.au)