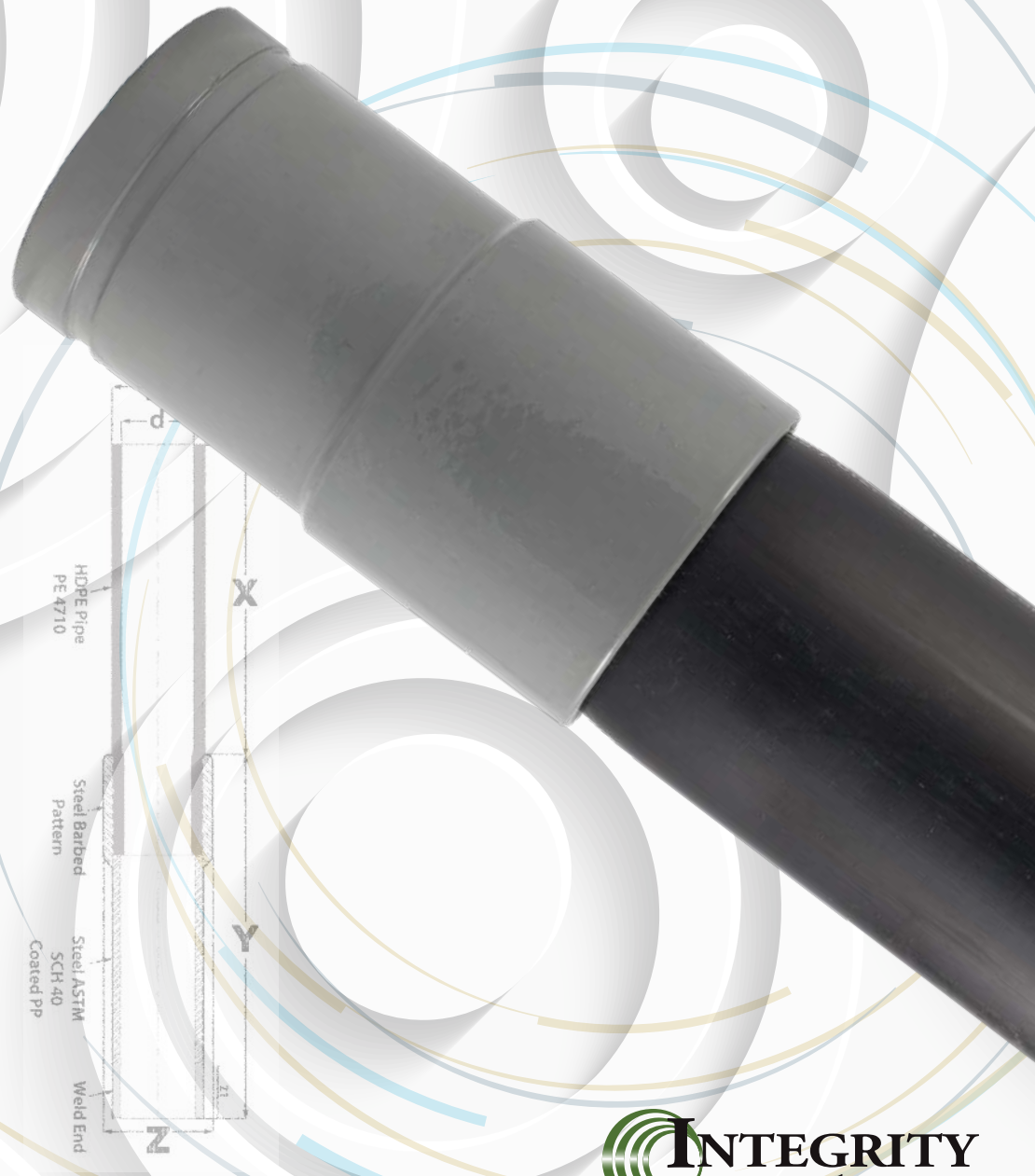


TRANSITION FITTINGS

HEAVY DUTY
Transition
Fitting Grooved

IntegriFuseTM



INTEGRITY
Fusion Products, Inc.

INTEGRITYFUSION.COM

TRANSITIONING TO THE NEXT LEVEL

Integrity offers a full line of HDPE transition fittings to meet your needs; whether for water, oil, or any other transition application.

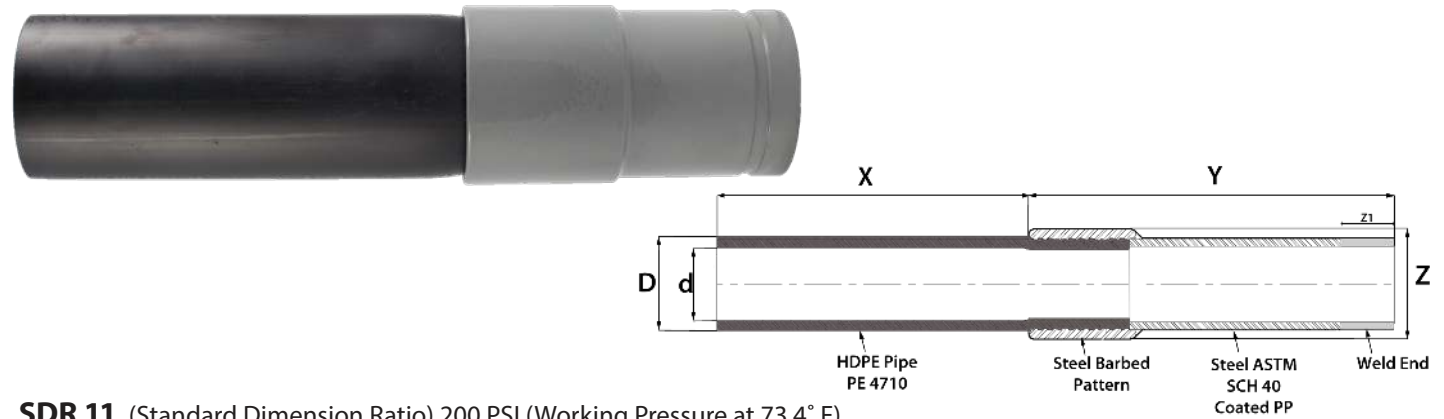
We offer a full line of Standard transition fittings in Male and Female NPT Threads in epoxy coated carbon steel, 304SS, and 316SS. We also offer standard cut groove transitions in epoxy coated carbon steel.

In addition, Integrity Fusion offers an impressive line of Heavy Duty transitions which are more durable for heavier duty applications. Threaded, Grooved, and Weld End are all available.

IntegriFuse fittings are manufactured for use in, but not limited to, potable water, oilfield, industrial, landfill, and mining applications.

All IntegriFuse Fittings meet ASTM-D3261 Requirements and are manufactured with domestic pipe having a material designation code of PE 3408, PE 3608, PE 4710, and PE 100.

Integrity Fusion Standard Threaded Transitions meet All IntegriFuse fittings meet AWWA C-901/C-906, NSF/ANSI/CAN-61, and NSF/ANSI-372 (where applicable).



SDR 11 (Standard Dimension Ratio) 200 PSI (Working Pressure at 73.4° F)

Nom. Size Steel x HDPE	X	Y	D	d	Z	WEIGHT CARBON STEEL	EPOXY
2" IPS	9.30"	5.83"	2.375"	1.943"	2.64"	2.4 lbs.	400700
3" IPS	8.80"	6.80"	3.500"	2.864"	3.77"	5.4 lbs.	400703
4" IPS	11.57"	7.40"	4.500"	3.682"	4.78"	10.3 lbs.	400706

SDR 9 (Standard Dimension Ratio) 255 PSI (Working Pressure at 73.4° F)

Nom. Size Steel x HDPE	X	Y	D	d	Z	WEIGHT CARBON STEEL	EPOXY
2" IPS	9.30"	5.83"	2.375"	1.847"	2.64"	2.6 lbs.	400702
3" IPS	8.80"	6.80"	3.500"	2.722"	3.77"	5.7 lbs.	400705
4" IPS	11.57"	7.40"	4.500"	3.500"	4.78"	10.9 lbs.	400708

SDR 7 (Standard Dimension Ratio) 335 PSI (Working Pressure at 73.4° F)

Nom. Size Steel x HDPE	X	Y	D	d	Z	WEIGHT CARBON STEEL	EPOXY
2" IPS	9.30"	5.83"	2.375"	1.697"	2.64"	2.8 lbs.	400701
3" IPS	8.80"	6.80"	3.500"	2.500"	3.77"	6.2 lbs.	400704
4" IPS	11.57"	7.40"	4.500"	3.214"	4.78"	11.7 lbs.	400707

Note: These transition fittings are commonly used in oilfield & gas gathering, but not rated for natural gas distribution applications.

Integrity Fusion Products, Inc.
270 Parkade Court . Peachtree City, GA 30269
P: 1-888-770-6330 • P: 770-632-7530 • F: 770-632-7540
E: Info@IntegrityFusion.com

