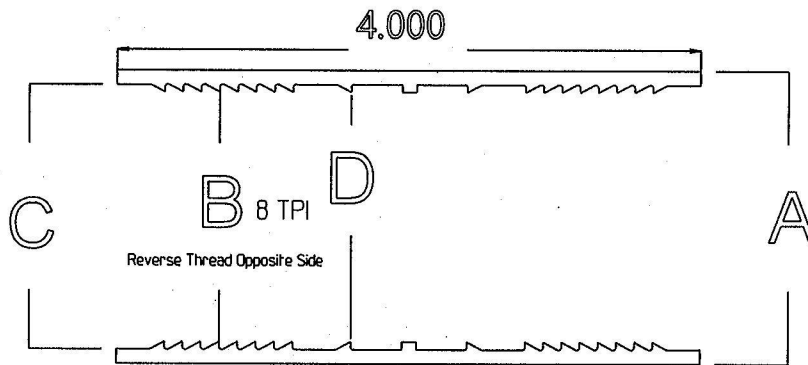


# US COUPLER

WWW.USCOUPLER.COM

Aluminum Reverse Threaded  
Barbed Coupling  
(ASB)



Part #	Dim A	Dim B	Dim C	Dim D
ASB 1.050	1.250	1.025	1.125	1.010
ASB 1.315	1.500	1.290	1.390	1.275
ASB 1.660	1.900	1.635	1.735	1.620
ASB 1.900	2.100	1.875	1.975	1.860
ASB 2.375	2.610	2.350	2.450	2.335

Part #	AIR PRESSURE MAX	PULL OUT POUNDS
ASB 1.050	270 PSI	1150
ASB 1.315	270 PSI	1175
ASB 1.660	255 PSI	1600
ASB 1.900	220 PSI	1950
ASB 2.375	255 PSI	2125

<b>1-2024</b>	<b>US COUPLER</b>	
Tolerance : Standard	UNIT INCH	Material : 6061 ALUM
		
4925 CONVAIR DRIVE #23 CARSON CITY, NV 89706 USCOUPLER.COM		

